

### Step 3: Hanging display

Firstly lift the bracket mounted display over the wall mount. And then hook the brackets over the top of the wall mount. Rotate the display let the bottom of the brackets hook over the bottom of wall mount, as shown in Fig.3a. Then put safe bolts into the bottom of the brackets and lock it, as shown in Fig.3b.

**Warning:** Some TV require two people to lift, as we are not responsible for any personal injury or product damage due to mishandling.

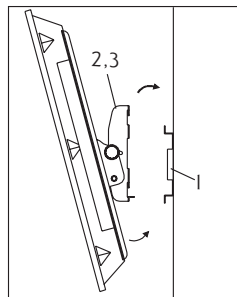


Fig 3a

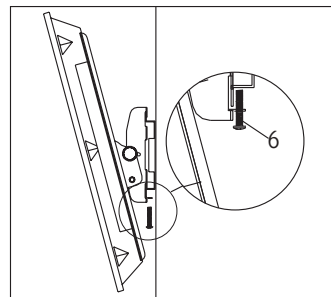


Fig 3b

Thank you for choosing our products

Pyle Audio  
1600 63rd st , Brooklyn, NY, 11204  
(718)236-8000

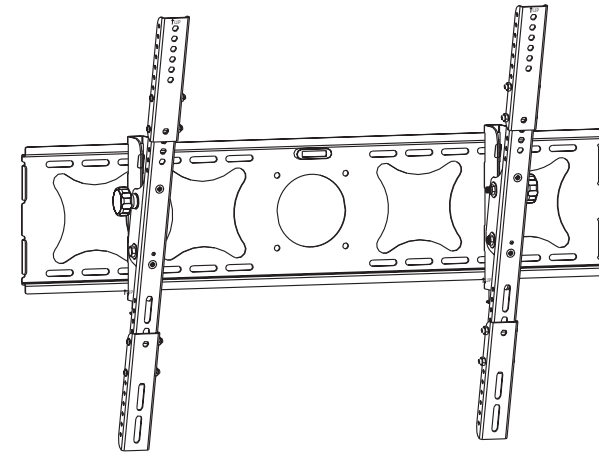


## Tilt Flat Panel TV Bracket

Multifunctional double deck wall mount

INSTALLATION GUIDE

Item No.:PSW117ET1

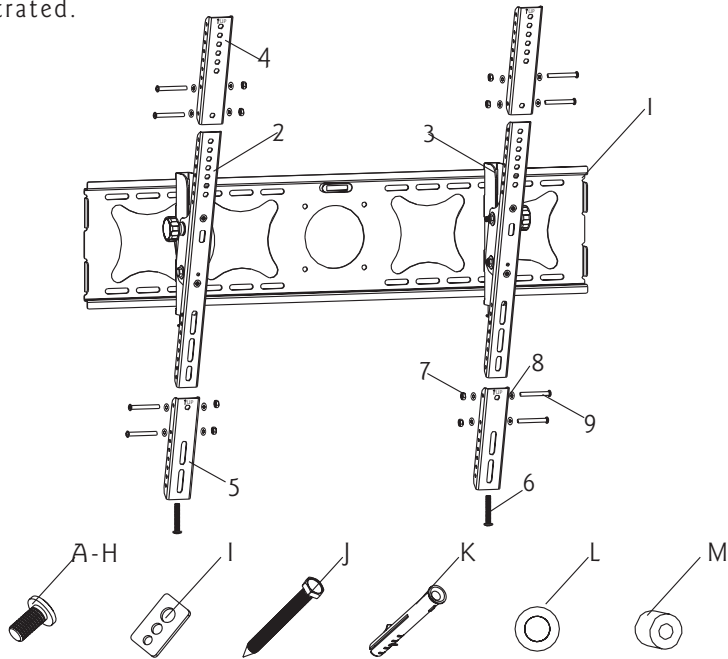


- Easy installing: Just hang up the display
- Safety: locking by spinning bolt on the bottom
- Max load capacity:60kg/132lbs
- TV size range: 36" ~65"
- Adjustable angle: -5 ~15
- Inside has balance adjust system
- Built in leveler system

[www.pyleaudio.com](http://www.pyleaudio.com)

MADE IN CHINA

**Hardware List:** Actual parts may appear slightly different than illustrated.



ID	Qty	Description
1	1	Wall mount
2	1	Left bracket
3	1	Right bracket
4	2	Upper Lengthen bracket
5	2	Lower Lengthen bracket
6	2	Safe bolt
7	8	M6 nut
8	16	M6 washer
9	8	M6×50mm bolt
A	4	M4×12mm bolt
B	4	M4×16mm bolt

ID	Qty	Description
C	4	M5×16mm bolt
D	4	M6×16mm bolt
E	4	M8×16mm bolt
F	4	M5×36mm bolt
G	4	M6×36mm bolt
H	4	M8×36mm bolt
I	4	Square washer
J	6	Long bolt
K	6	Wall anchor
L	6	Long bolt washer
M	4	Spacer

After determining the height of stand, follow the installation instructions in below to install wall mount to different kinds of wall -wooden, concrete.

**Wooden wall:**

Using a awl or nail to make where the nails are located, as shown as fig.2b. Distance between two nails for fixing wall mount must not less than 12". Pre-drill these holes with a 5mm drill bit to at least 50mm in deep hole. Please make sure these holes are level and located at center. Use wall mount as a template to mark the location of other three holes and drill the same holes. Fix the wall mount to the wall with 4 long bolts(J) and washers(L).

**Concrete wall:**

Using the wall mount as template to mark 6 holes location on the wall. Three holes are located at the top row of the slots and three more are located at the bottom row. The outer holes must be fall to the left and right of the two holes in the middle of the mount. Please make sure these holes are level and at least 6" between any two lines. Pre-drill these holes with a 10mm drill bit to at least 50mm deep hole. Insert Wall anchors(K) into each of these holes. Attach the wall mount to the wall using 6 Long bolts(J) and washers(L).

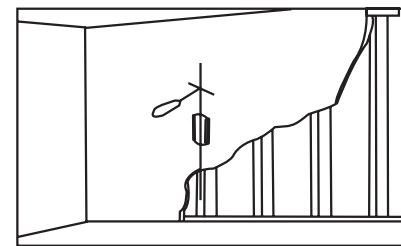


Fig 2b

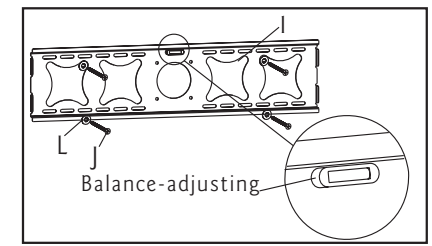


Fig 2c

Using balance-adjusting system on the plate, make sure whether wall plate is installed balance. If not, then slide the wall plate let pointer level in the center position.

## Step 2: Attach mount to wall

First, determine the height of stand

The best height of stand is parallel to eyelevel of a person who sitting on a couch.

Normally, the horizontal distance of eyelevel is about 4' from ground level.

The following two conditions are for determining the perfect height of stand:

- 1) the distance between wall and couch (Fig 2a).
- 2) the distance of eyelevel from ground level plus the distance measured from eyelevel of a person sitting on couch with viewing angle of 15° (Fig 2a).

For example:

- 1) the distance of 'a' is 5'-7', the distance of 'b' is about 1'
- 2) the distance of 'a' is 8'-13', the distance of 'b' is about 3'
- 3) the distance of 'a' is 14'-17', the distance of 'b' is about 4'

The perfect height of stand centre will be anywhere within b, where you feel comfortable for viewing.

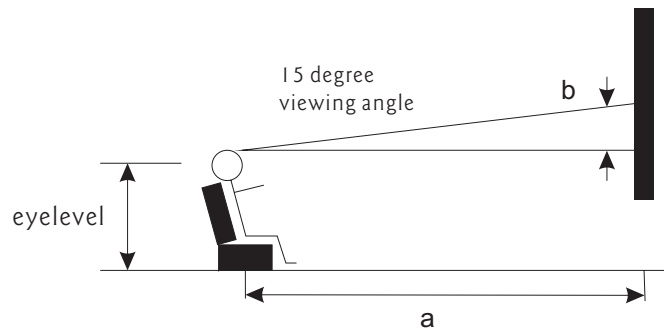


Fig 2a

We are not responsible for any personal injury or product damage due to mishandling, incorrect mounting, incorrect assembly or incorrect use of this product.



**Note:** The supplied wall mounting hardware is not for use on steel stud walls or cold cinder block walls. If you are uncertain about the nature of your wall, please consult a qualified contractor. If the hardware you required is not included please contact your local hardware store.

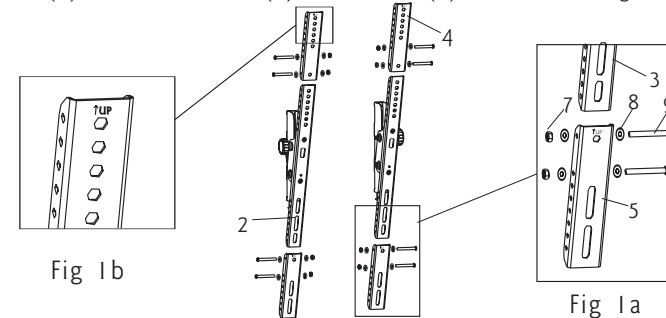
**Caution:** This Product LCD /Plasma Wall Mount Bracket is intended for use only with the maximum weights indicated .See apparatus instructions .Use with products heavier than the maximum weights indicated may result in instability causing possible injury .

## Step 1: Attach bracket to TV

If your display hole's vertical distance > 400mm, you need to use the lengthen bracket on both brackets(2,3).Lengthen bracket(4,5) installation:

According your display hole's distance to choose the bracket hole's.

Install the Lengthen bracket(4,5) directly to the both brackets(2,3) by using M6x50mm(9) bolts M6 washers(8) and M6 nuts(7). As shown in Fig 1a.



Check your TV manual to confirm the diameter of bolt to be used or choose an appropriate bolt according to size, height and position of the holes on your TV. See pages 4-5 of these instructions for examples.

For correct installing, make sure that hook of every bracket must facing down. Use selected bolts, spacers and washers for installing bracket at the back of display. Adjust two brackets to equal heights and level. Once aligned, tightly secure the bolts. **Note:** the "TUP" side on the top. As shown in Fig. 1 b.

Following examples shows how to use bolts, spacers and square washers.

1. Some displays have vertical backs. No spacer is required. Install the bracket directly to the back of display by using bolts and square washers provided. As shown in Fig. 1c.

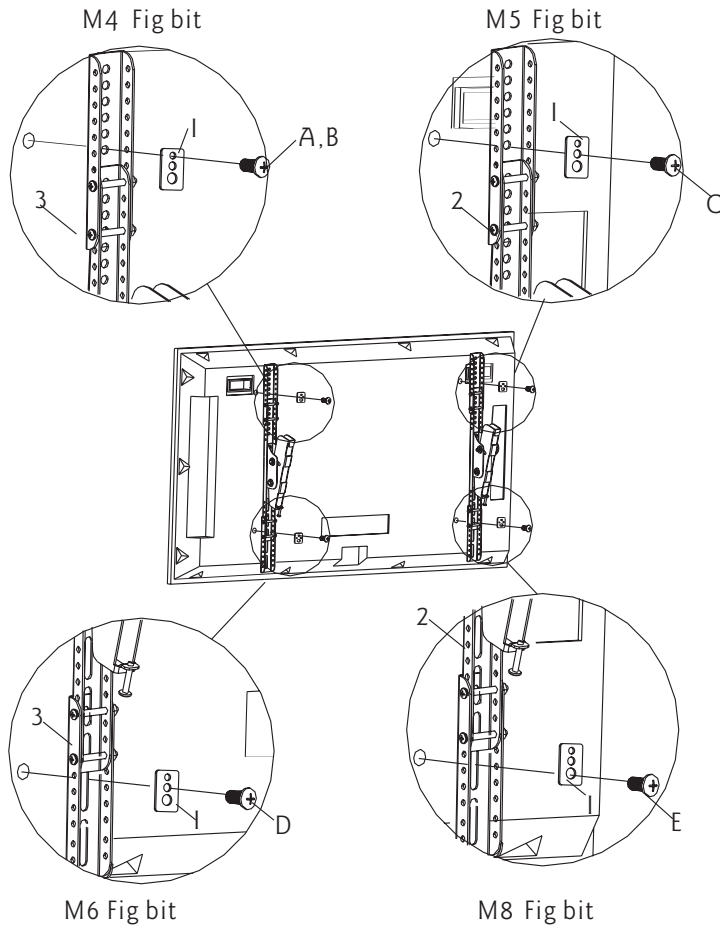


Fig 1c

2. Some displays have curved backs with recessed mounting lands (Fig. a). It will require the use of spacer. For this display, install a spacer (M) between display and the bracket. As shown in Fig 1d.



Fig a

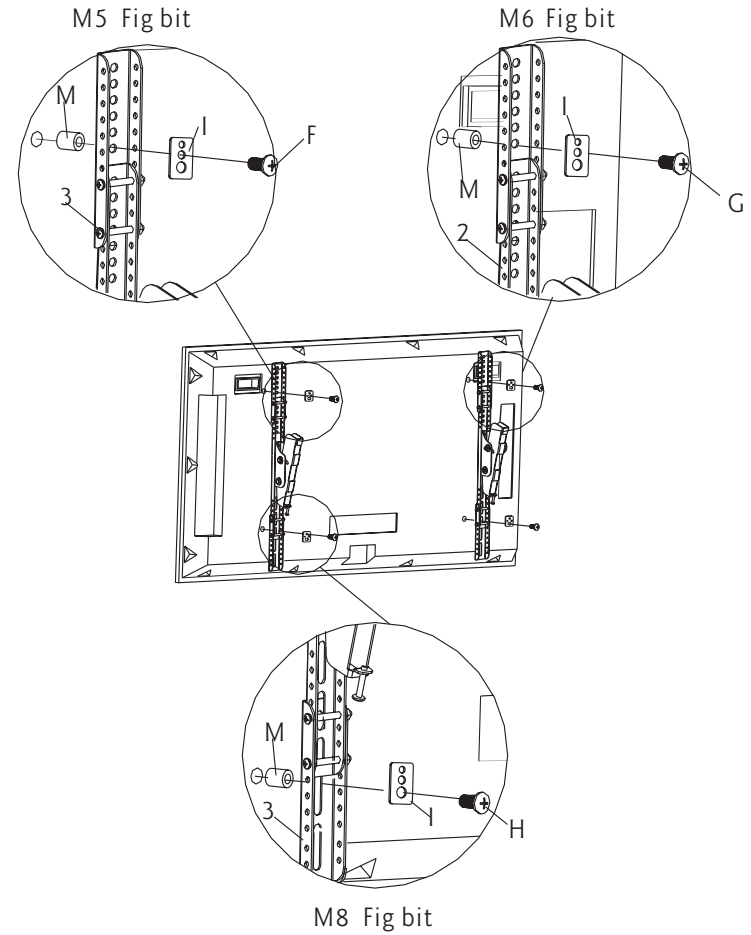


Fig 1d